

Self Tipping Skips

- Simple to empty
- Self-latching return mechanism
- Tip in-line (all models) or to either side (3W models)
- Heavy-duty castors ensure they are simple to move (025 & 050 models)
- Robust fork guides for added strength

These durable, low-maintenance heavy-duty skips are suitable for demanding industrial use in factories, warehouses and on building sites. Our skips are designed for forklift truck emptying and will handle almost any kind of material.

The self-tipping skips can easily be emptied by lifting on a forklift truck from the rear (all models) or from either side (3W) and are designed for long and arduous service.

If you are looking for a premium quality skip at an exceptional price, then look no further.

Overall sizes of the Self Tipping Skips: (mm)

Model	Length	Width	Height
025	1,390	820	900
050	1,740	1,030	1,040
100	2,110	1,310	1,060
120	2,080	1,310	1,180
150	2,390	1,490	1,180
200	2,390	1,745	1,180

Options	Part No.	ATS 3W-025	ATS 1W-025	ATS 3W-050	ATS 1W-050	ATS 1W-100	ATS 1W-120	ATS 1W-150
Oil tight tested	OT	✓	✓	✓	✓	✓	✓	✓
Security lids	SL	✓	✓	✓	✓	✓	✓	✓
Swarf separation plate	SS	✓	✓	✓	✓	✓	✓	✓
Oil drain tap	OD	✓	✓	✓	✓	✓	✓	✓
Colour change	CC	✓	✓	✓	✓	✓	✓	✓
Special fork guides	SF	✓	✓	✓	✓	✓	✓	✓
Special castors	SC	✓	✓	✓	✓	-	-	-

Options Note: Please add the Part Number to the Tipping Skip when ordering eg: ATS 3W-025/SL/CC-Red

Model Number	Capacity M ³	Capacity Kg	Unladen Weight Kg	A	B	C	D	E	F	Aperture	Rear - Y	Centres - X	Centres - Y	Castors	Standard Colour
ATS-3W-025	.25	750	155	1250	1200	760	500	900	730	180 x 75	650	710	Steel	Blue	
ATS-1W-025	.25	750	155	1250	1200	760	500	900	730			-	Steel		
ATS-3W-050	.50	1250	250	1515	1450	960	640	1040	825			710	Steel		
ATS-1W-050	.50	1250	250	1515	1450	960	640	1040	825			-	Steel		
ATS-1W-100	1.00	1750	400	1920	1870	1210	790	1070	890			-	If Req.		
ATS-1W-120	1.20	1750	425	1970	1840	1210	905	1175	895			-	If Req.		
ATS-1W-150	1.50	1750	500	2190	2140	1375	905	1175	995			-	If Req.		
ATS-1W-200	2.00	1750	655	2190	2140	1630	905	1175	995			-	If Req.		

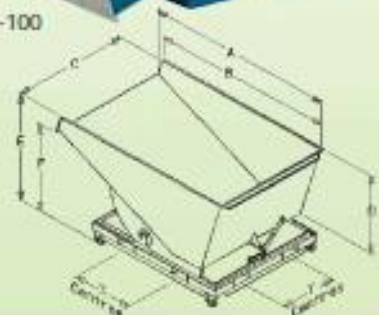
Unless stated, measurements are in mm



ATS 3W-025



ATS 3W-025 & ATS 1W-100



Important Recommendation:

The total weight of the skip plus load should not exceed 50% of the fork truck rating. Consideration should be given to the fact that the centre of gravity of the load will move forwards / backwards / sideways when tipping.