

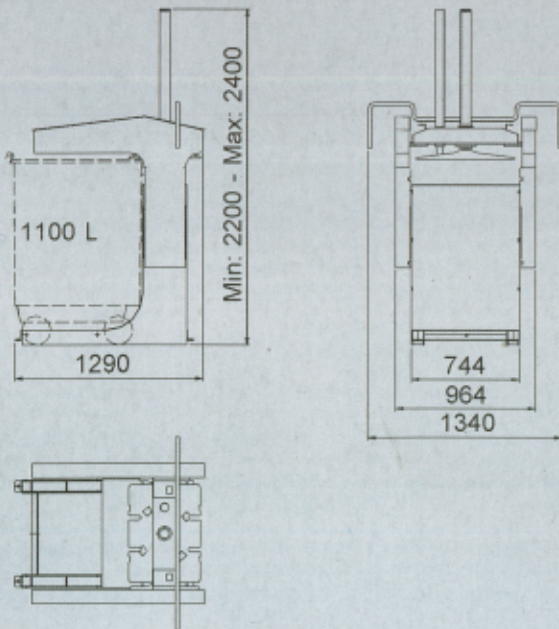
4100 Bin Compactor

The universal in-bin compactor

The new Orwak in-bin compactor will accept bins from 660 litres to 1100 litres. The bin is easily adapted to the unit and the wheels are automatically lifted off load during compaction.



Feed the waste into the container and push the start button. The ram unit is totally enclosed preventing operator access during compaction.



Technical data: 4100

Bin volume:	660 - 1100 litres (adjustable)
Pressure:	3 ton
Weight:	aprox. 550 kg
Total height:	min 2200 - max 2400 mm
Transport height:	min 2200 - max 2400 mm
Elektrical data:	
Standard:	1-phase, 230 V*, 50 Hz, 10 A, IP 55
Hydraulical data:	
Cycle time:	30 sec.
Stroke length:	790 mm

Specifications are subjected to alteration without notice.
*Other voltage available.

**WASTE
HANDLING
SOLUTIONS LTD**

"Making Sense out of Rubbish"

**Unit 5 Crown Industrial Estate
Crown Road, Warmley
BS30 8JJ
Tel: 01454 228899**